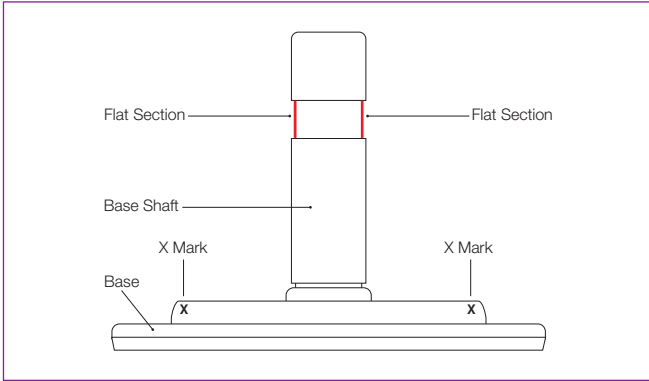


Before you put away your **XP**ERT XPOLE you **MUST!** ensure that the base is securely fastened into the bottom of the **A-POLE**. Failure to do so may cause serious injury and or damage to yourself and your home when next removing the pole from its carry case during set up as the base (if not secured) can fall off of the **A-POLE**.

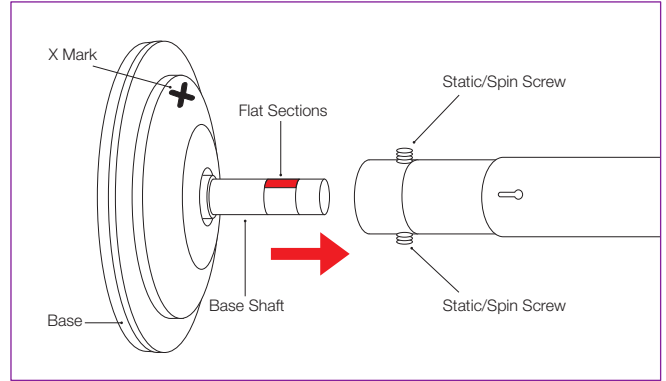
HOW TO ATTACH THE BASE TO THE A-POLE

Fig. (1.1)



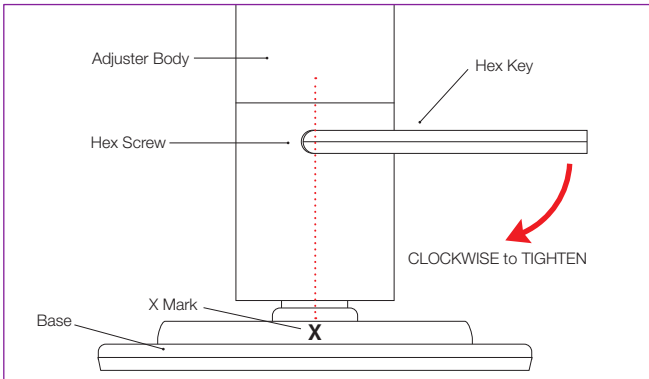
The 2 x flat sections are where the hex screws will locate to stop the pole from spinning. Note the 2 x flat sections on the base shaft, and ensure these are in line with the **X's** on the base.

Fig. (1.2)



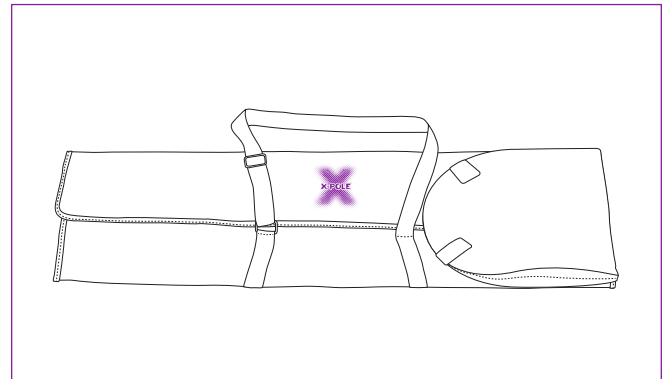
Make sure the 2 x Static/Spin screws are fully loosened using the 5mm Hex Key. **DO NOT** completely remove the screws. Slide the base shaft into the A-Pole. The two screws need to be in line with the **X's** on the base to ensure they are screwed onto the flat sections.

Fig. (1.3)



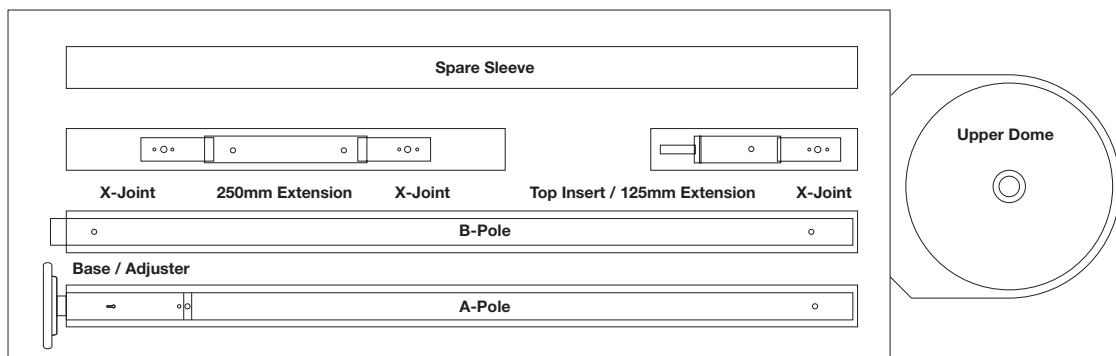
Once the A-Pole is on the shaft – align both the Static/Spin screws with the 'X-Marks' on the base and tighten the 2 screws by turning the hex key clockwise.

Fig. (1.4)



Once the Xpert Base has been securely inserted into the A-Pole, then the A-Pole and base can be safely stored into your carry case.

XPERT CARRY CASE PACKING DIAGRAM



CAUTION: Failure to comply with the above guidance and instruction may result in serious injury and or damage to yourself and your property.