

Thank you for buying a SILKii. The team at X-POLE have spent a significant amount of time researching, designing and developing SILKii. Using SILKii is a great way for students to learn those harder pole tricks with additional assistance and support from the silk.

CRITICAL INFORMATION PLEASE READ THIS BEFORE INSTALLING AND USING THE SILKii

To get the best from your SILKii – with SAFETY being the utmost priority – it is extremely important that you READ & FOLLOW the Instruction Manual from beginning to end and most importantly, understand it! SILKii exerts additional pressure/forces on the pole and therefore great care needs to be taken with installation. SILKii can only be used with 40/45mm poles.



CAUTION: SILKII is NOT to be used under the following conditions:

SILKii is **NOT** to be used in conjunction with any other pole except an X-POLE.

SILKii is **NOT** to be used in conjunction with any Silicone pole.

SILKii is **NOT** to be used in conjunction with any Brass Stage pole.

SILKii is **NOT** to be used in conjunction with a One Piece pole.

SILKii is **NOT** to be used on any pole that is only pressure fitted using an Upper Dome (XPERT Pole) or Upper Plate (SPORT pole). A Fixed Dome Plate or Fixed Mount is mandatory.



CAUTION: SILKII can be used under the following conditions:

SILKii can be used with an X-STAGE or X-STAGE Lite, that does **NOT** exceed a total height of 3.0m, and additional weights must be placed on the X-Stage frame to further secure the stage. SILKii can only be used on recommend XPOLES, and used with a permanent mount or fixed ceiling plate.

SAFETY IS A PRIORITY AT ALL TIMES

Fig. (1.1)

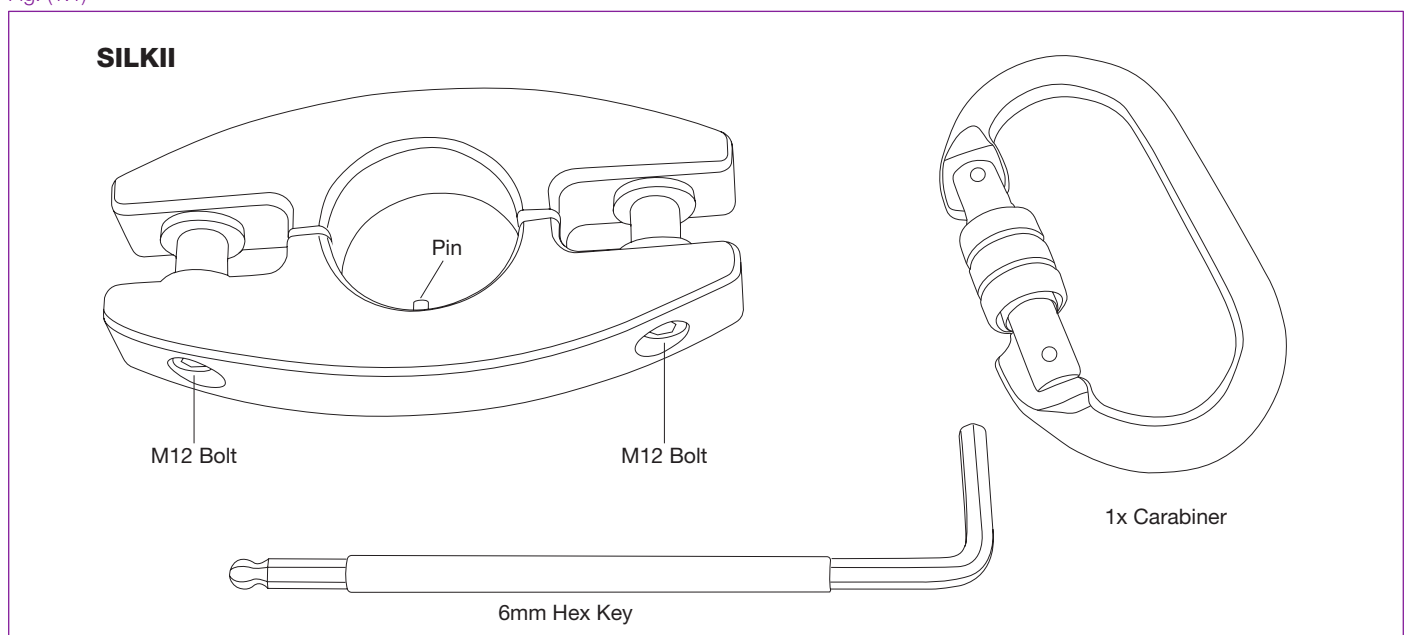
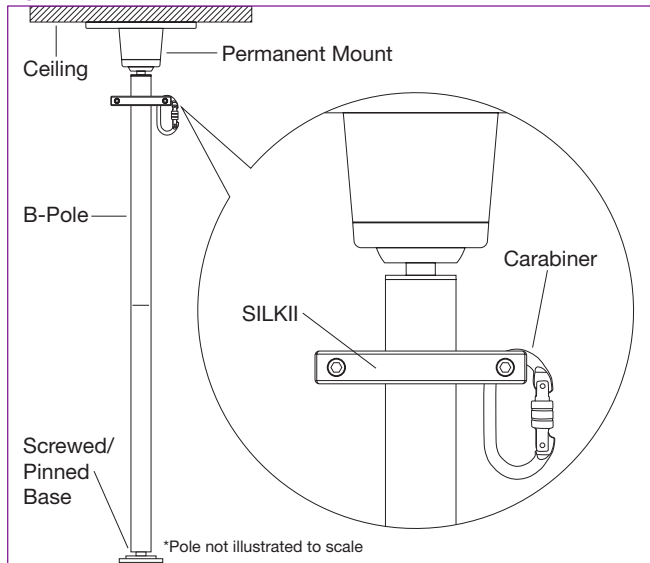
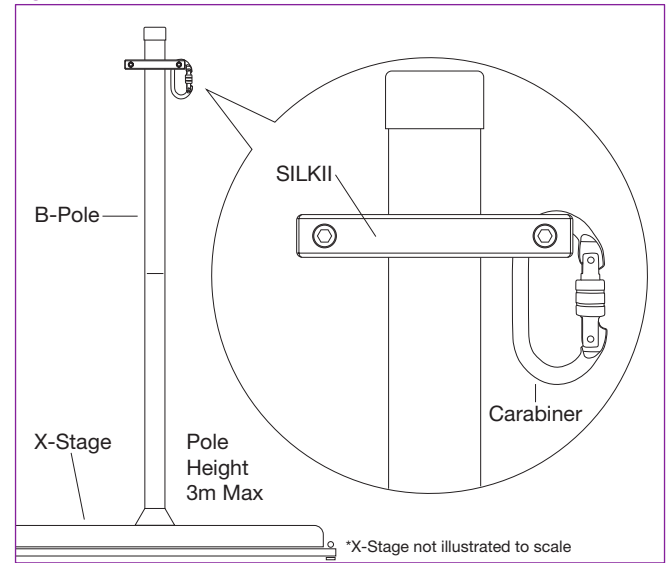


Fig. (2.1)



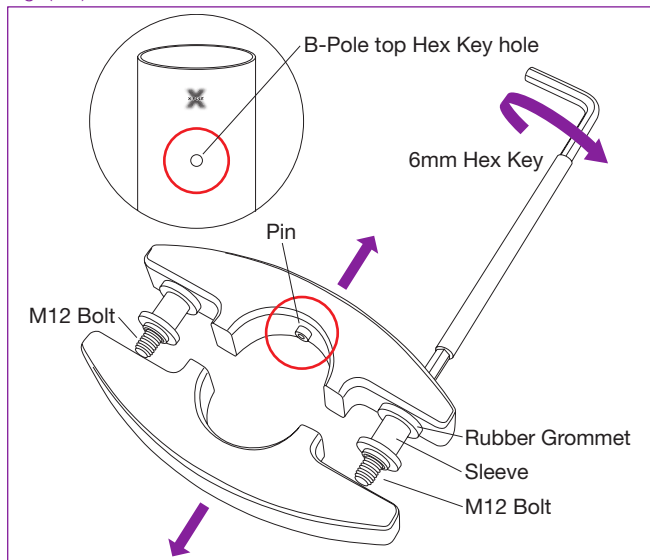
The SILKii can be installed at the top of an XPERT, XPERT PRO and SPORT pole that is mounted using a permanent fixing or on an X-Stage. SILKii MUST NOT be used on a stand-alone pole that is not secured using a permanent fixing/ceiling plate/mount or a secured base.

Fig. (2.2)



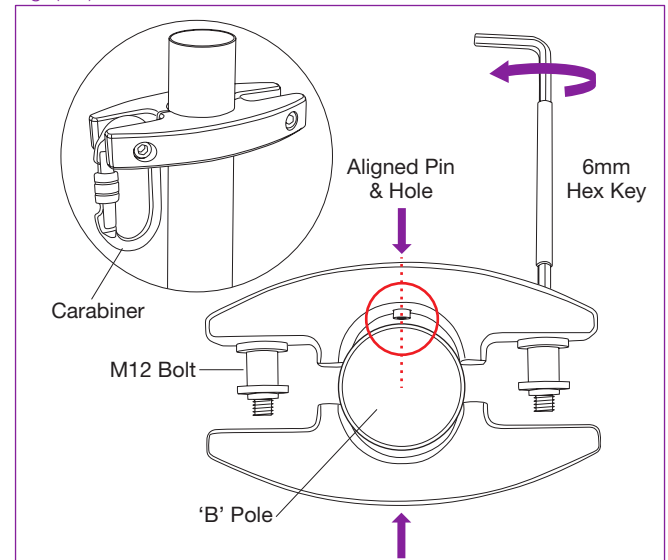
The SILKii should be installed at the top of the pole – over the Hex Key hole - this could be done before the B-Pole is attached to the A-Pole, or a ladder will be needed. When installing on an X-STAGE, it is advisable to remove the B-Pole, then install the SILKii, before replacing the B-Pole. Additional weight is mandatory.

Fig. (2.3)



Remove the 2 x M12 bolts on either side of the SILKii – note the pin on one side of the SILKii. The pin locates into the Hex Key hole at the top of the B-POLE. Undo each side evenly otherwise the SILKii will lock. Whilst loosening the screws, please ensure that they are not completely removed from the SILKii unit.

Fig. (2.4)



Attach the side with the pin to the pole. Once the pin has fully engaged with the hole. Line up the other half of the SILKii with the 2 x M12 bolts and fasten securely. Tighten screws progressively. If you tighten one screw too quickly, this will lock one side of the SILKii. Once correctly fastened, the SILKii is now in place and the Carabiner(s) can now be attached. Make sure the carabiner gate is closed and the screw collar is set to the locked position when in use. The opening point is facing downwards.

With SILKii fully installed the Silk(s) can now be attached to the Carabiner. Once you have attached the Silk(s), pull down and test that the SILKii is installed correctly and does not slide down. It is very important to check that the 2 x M12 bolts are tight before and after every use. Please also check the X-Joint(s) on the pole every 25-30 minutes. It is not recommended to use multiple silks, unless the users are experienced & able to apply equal pressure either side of the pole and not creating too much pressure on a single side.