

X-LOCK AMENDMENT

We have made improvements to our X-LOCK product, it now incorporates a second locking system for added security.

To switch from static (locked) to spinning (unlocked), simply lift the X-LOCK collar and turn it counter/anti-clockwise. To switch from spinning (unlocked) to static (locked) you will now need to lift the X-LOCK collar and turn it clockwise.

Static (Locked) to Spinning (Unlocked)

Fig. (1.1)

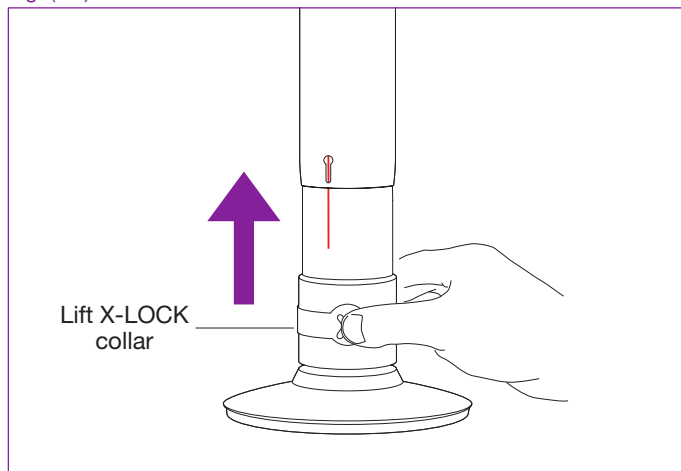
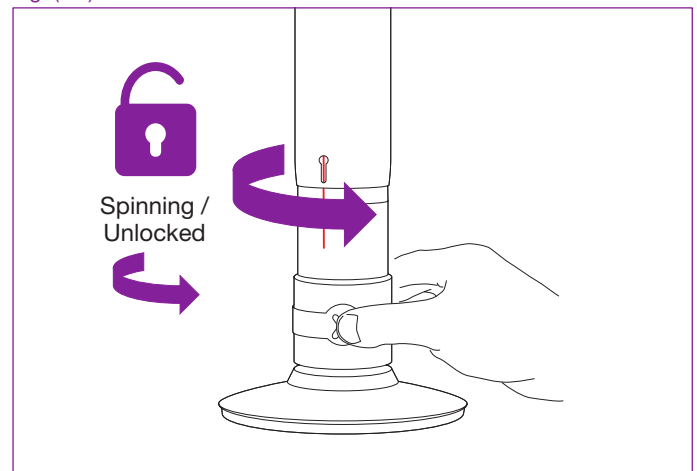


Fig. (1.2)



To unlock your X-LOCK and place it in to spinning mode, lift the X-LOCK collar and turn it counter/anti-clockwise.

Spinning (Unlocked) to Static (Locked)

Fig. (2.1)

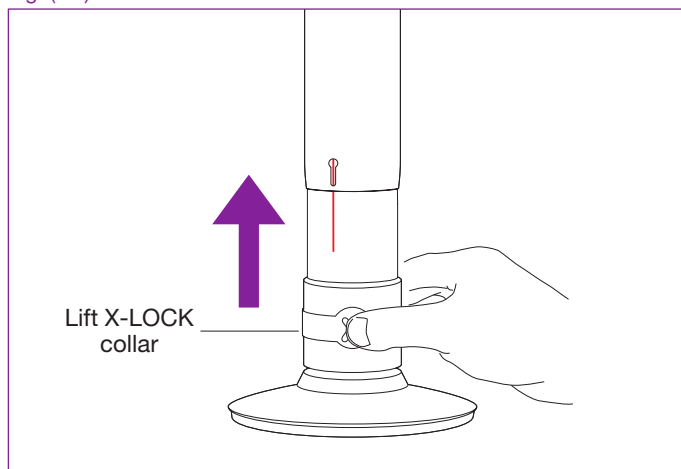
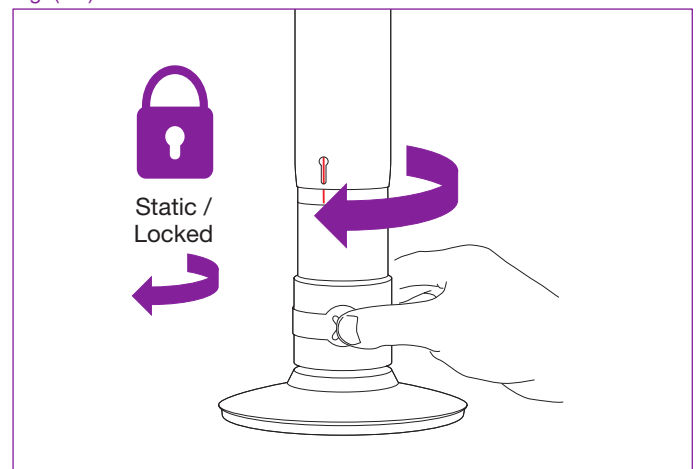


Fig. (2.2)



To lock your X-LOCK and place it in to static mode, lift the X-LOCK collar and turn it clockwise.