

## A-Frame Footprint/Build Dimensions

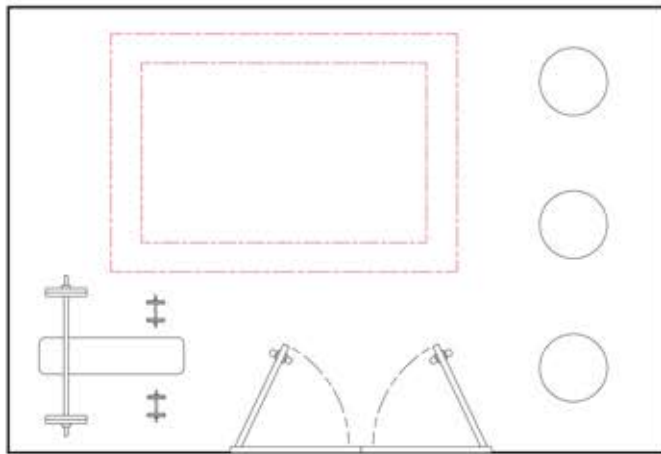


Fig 1.2

When the A-FRAME is at its lowest height, it will require a floor area of 4.4sqm (47 sq-ft) and when fully extended will require an area of 8.9sqm (95 sq-ft).

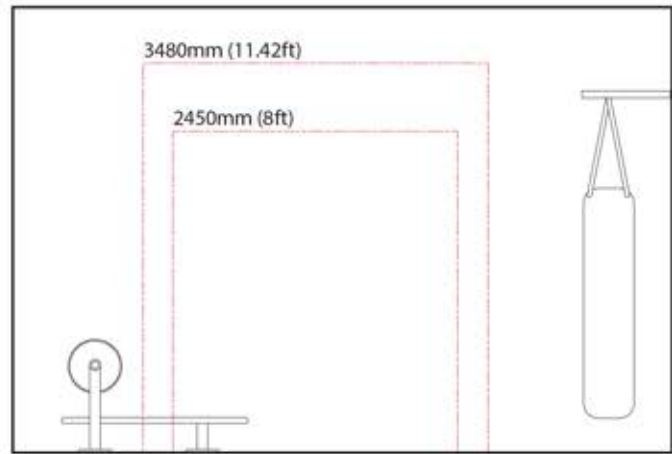


Fig 1.3

The A-FRAME could be extended from its lowest height of 2450mm (96.45 Inches) to a height of 3480mm (137.00 Inches) when fully expanded.

Height (mm) (Inches)		Depth (mm) (Inches)		Width (mm) (Inches)		Sq. Ft	Sq. M
2450	96.45	1955	76.96	2245	88.38	47	4.4
2530	99.60	2019	79.48	2318	91.25	50	4.7
2610	102.75	2083	82.00	2392	94.17	53	5
2755	108.46	2198	86.53	2524	99.37	59	5.5
2900	114.17	2314	91.10	2647	104.21	65	6.1
3045	119.88	2430	95.66	2790	109.84	73	6.8
3190	125.59	2545	100.19	2923	115.07	79	7.4
3335	131.29	2661	104.76	3056	120.31	87	8.1
3480	137.00	2777	109.33	3189	125.55	95	8.9

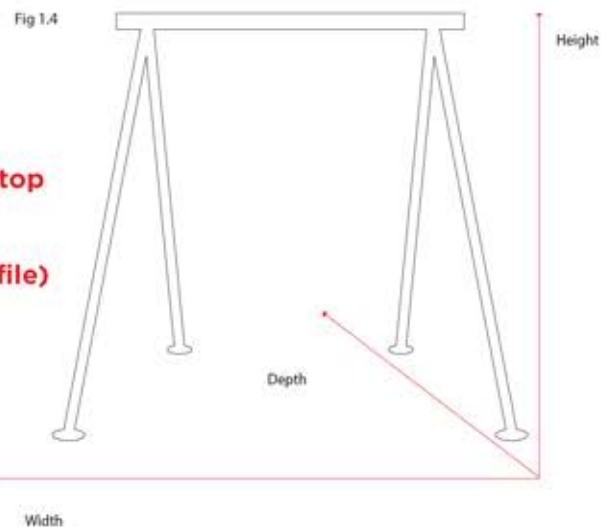


Fig 1.4

### Measurement Key (To the top of the bar.)

- Height** - Measuring vertically from the floor to the top of the bar.
- Depth** - Measuring between the triangle (Side Profile)
- Width** - Measuring between the front/back legs (Front/Back Profile)